

1

2

3

4

RevNo	Revision note	Date	Signature	Checked
-------	---------------	------	-----------	---------

A

A

B

B

C

C

D

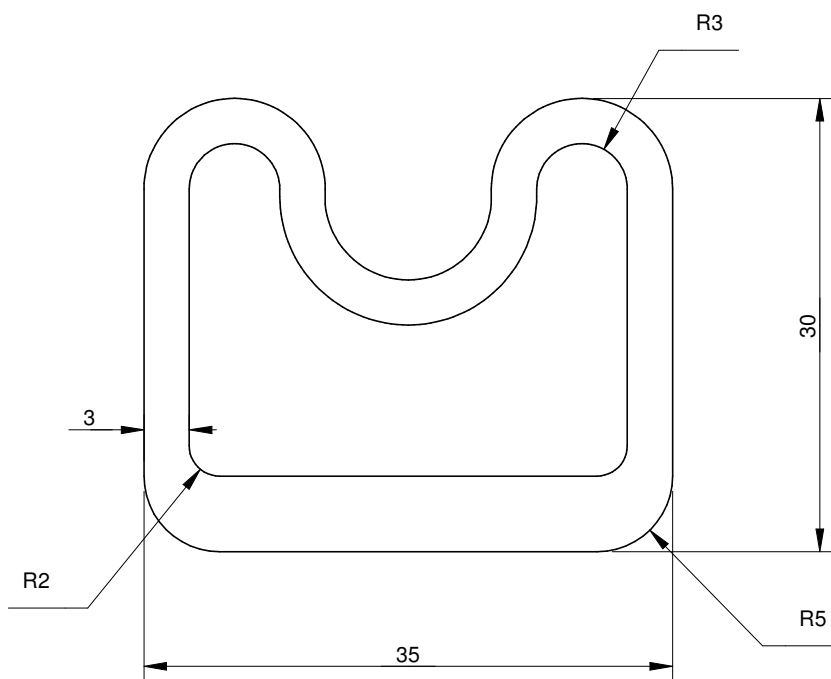
D

E

E

F

F



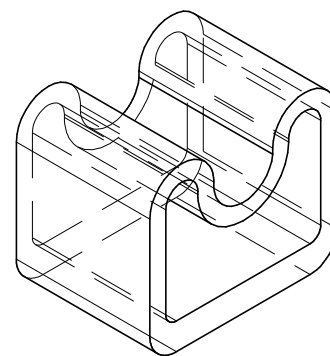
GRADES


EPDM / NBR / Neoprene / Silicone / IIR

Hardness: 60±5° Shore A
Tolerance: E2 ISO 3302-1

Pdiff : 0.7 Bar
Inflation P : 0.7 - 1.75 Bar
Pmax : 2,1 Bar

Expansion : 12-15 mm



Itemref	Quantity	Title/Name, designation, material, dimension etc			Article No./Reference	
Drawn by AS	Checked by	Approved by - date	File name	Date 09/03/2010	Scale 1 : 1	
limburgse kunststofonderneming LIKON BV ELASTOMERS PLASTICS ALUMINIUM		 Kerkstraat 101 NL-5411CK Zeeland T +31/486-450050 sales@likon.info www.likon.info		Inflatable seal section IFS# 26		Edition Sheet 1 of 1

1

4